

# SHEAR TYPE LOAD CELL

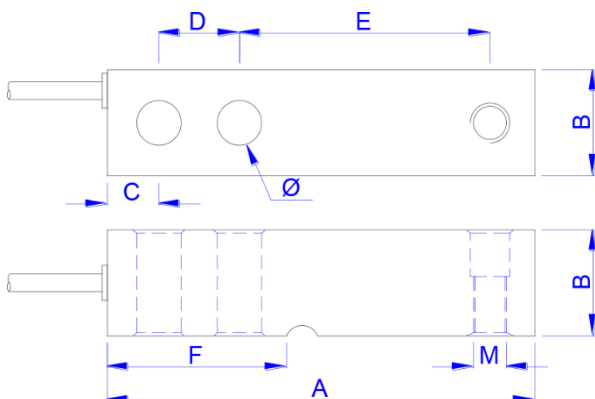
Rated load 0,5 – 1 – 2 tons



## SKX-T2

### SPECIFICATIONS

Rated capacity (FS)	Kg	500/1.000/2.000
Combined Err	%FS	±0.02
Creep (30 min)	%FS	±0.025
Zero Temperature Drift	%FS/10°C	±0.015
Rated Output Temperature Drift	%FS/10°C	±0.015
Zero Balance	%FS	±1
Accuracy Class		C3
Input Resistance	Ω	385±20
Output Resistance	Ω	350±5
Insulation Resistance	MΩ	≥ 5.000
Supply Voltage	Vac/dc	1 ÷ 15
Compensated Temperature Range	°C	-10 ÷ +40
Operating Temperature Range	°C	-20 ÷ +60
Safe Overload	%FS	150
Ultimate Load	%FS	300
Material		Stainless steel
Sealing		IP68
Cable (Diameter/Length)		Ø 5 mm / 5 m
Cable Color Code		Exit: Red(+), Black (-) Sense: Yellow (+), Blue (-) Signal: Green (+), White (-)



Capacity (ton)	Size mm							M-Thread
	A	B	C	D	E	F	φ	mm
0.5-1-2	13	3	1	25	76	5	13	M12x1.7
	2	1	8	.4	.2	2		5

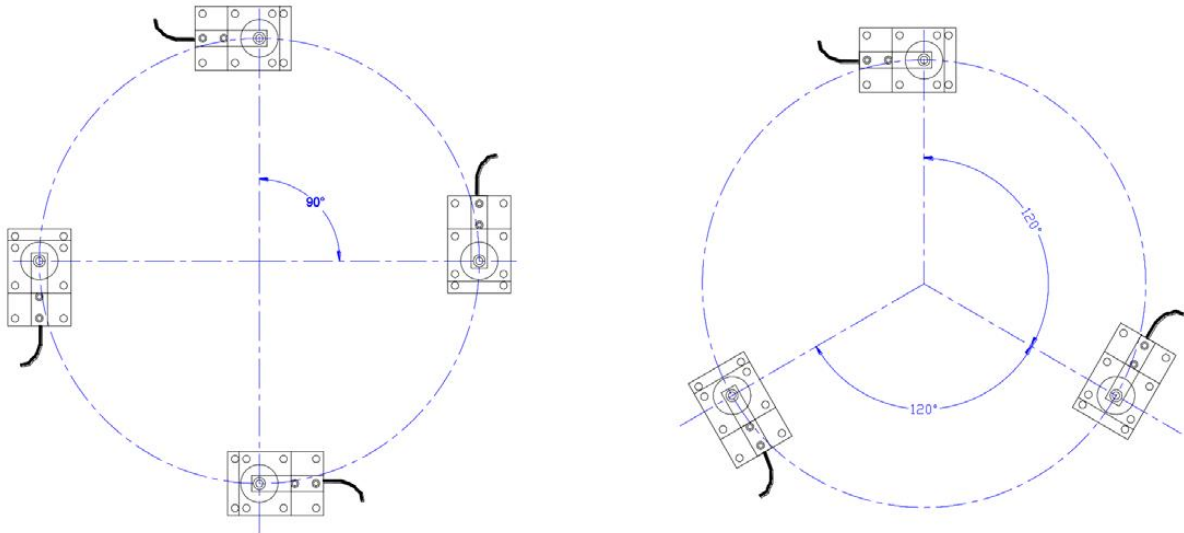
# SHEAR TYPE LOAD CELL

Rated load 0,5 – 1 – 2 tons



automation and engineering

## 3 OR 4 LOAD CELL ARRANGEMENT



## MOUNTING FOOT MOD. MK-SKX-2T

