

LOAD CELL WEIGHING SCALE

For on-floor dissolvers/basket mill

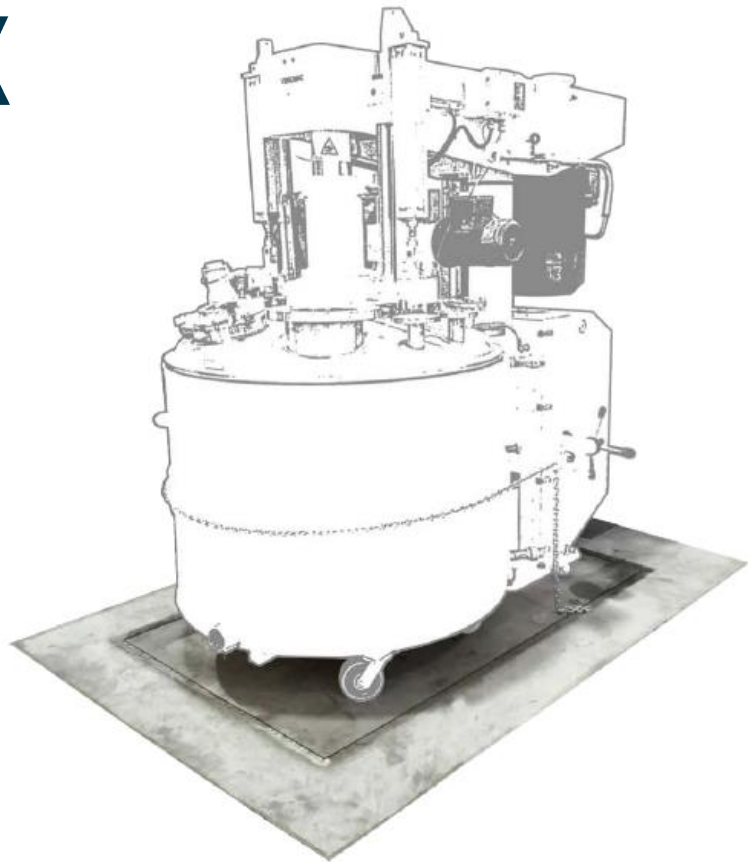
LPS-MX

The **LPS-MX** are strain gauge load cells platforms scales for on-floor production machines like dissolvers and grinders.

They are made with rigid steel structure, with use of four stainless steel load cells.

The six-millimeter loading platform allows the use with very high concentrated loads. Easy installation and immediate use make these products suitable to specific requirements of industrial plants.

These scales are suitable for use inside hazardous area (ATEX).



LPS-MX GENERAL CHARACTERISTICS

- Provided with four stainless steel shear type load cells (LPS-200120, LPS-210130) or compression load cell (LPS-230130)
- Load cells made according to OML R60 with IP67 protection degree
- Steel supporting structure with innovative design for better stiffness
- Loading platform in stainless steel sheet for highly concentrated loads
- Robust structure painted with black epoxy paint
- Loading platform covered with stainless steel AISI304
- Height adjustment feet (+/- 10 mm) in stainless steel and antacid rubber
- Customizable flange for mounting of different machines on the platform
- Junction box with six-wire extension cable connection. Protection degree IP65
- Shielded output cable for electronic conditioner connection L=10m
- Load cell supply 5 V
- Bridge resistance 85 Ohm

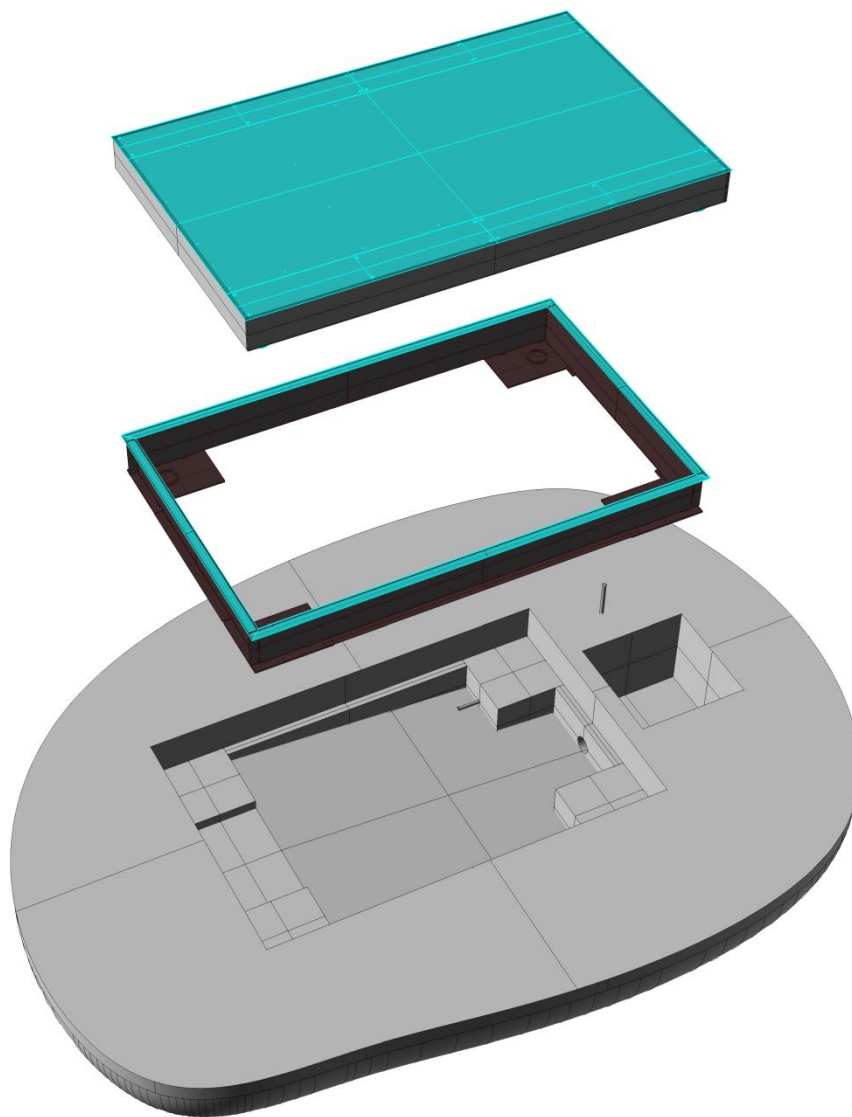
LOAD CELL WEIGHING SCALE

For on-floor dissolvers/basket mill



automation and engineering

DIMENSIONS



ORDERING CODE	USEFUL DIMENSIONS [mm]	HEIGHT [mm]	RANGE (MACHINE INCL) [kg]	DIVISIONS STD RESOLUTION [div]
LPS-200120	2000x1200	130	2.000÷3.000	2.000
LPS-210130	2100x1300	200	2.000÷3.500	1.000
LPS-230130	2300x1300	200	2.000÷4.500	1.000



automation and engineering

27020 Travacò Siccomario
Via del Tovo 5/3 Pavia Italy

Tel. +39 0382 482657
Fax +39 0382 1850248

commerciale@logic-pavia.it
www.logic-pavia.it