

# SHARE TYPE LOAD CELL

Rated load 0.5-1-2 tons

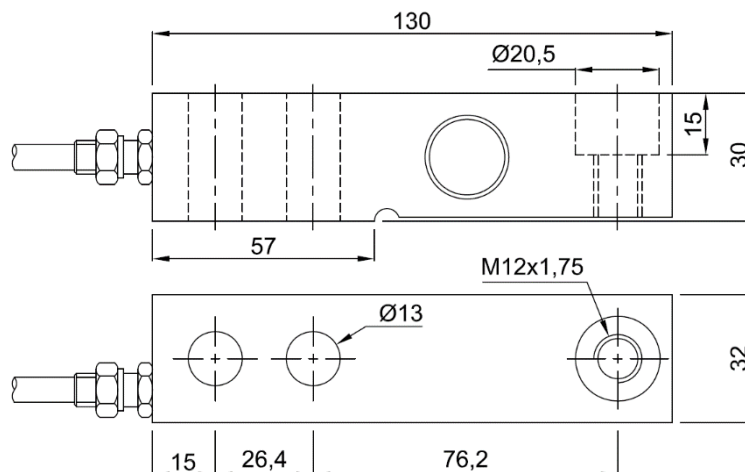


# FH

## SPECIFICATIONS

Rated capacity (FS)	Kg	500/1.000/2.000
Combined Err	%FS	±0.03
Creep	%FS	±0.02
Zero Temperature Drift	%FS/10°C	±0.03
Rated Output Temperature Drift	%FS/10°C	±0.02
Zero Balance	%FS	±1
Accuracy Class		C3
Input Resistance	Ω	380±5
Output Resistance	Ω	350±2
Insulation Resistance	MΩ	≥ 2.000
Supply Voltage	Vac/dc	1 ÷ 15
Compensated Temperature Range	°C	-10 ÷ +40
Operating Temperature Range	°C	-20 ÷ +70
Safe Overload	%FS	150
Ultimate Load	%FS	300
Material		Stainless steel
Sealing		IP68
Cable (Diameter/Length)		Ø 5 mm / 5m
Cable Color Code		Exit: Red(+), Black (-) Sense: Yellow (+), Blue (-) Signal: Green (+), White (-)

## DIMENSIONS

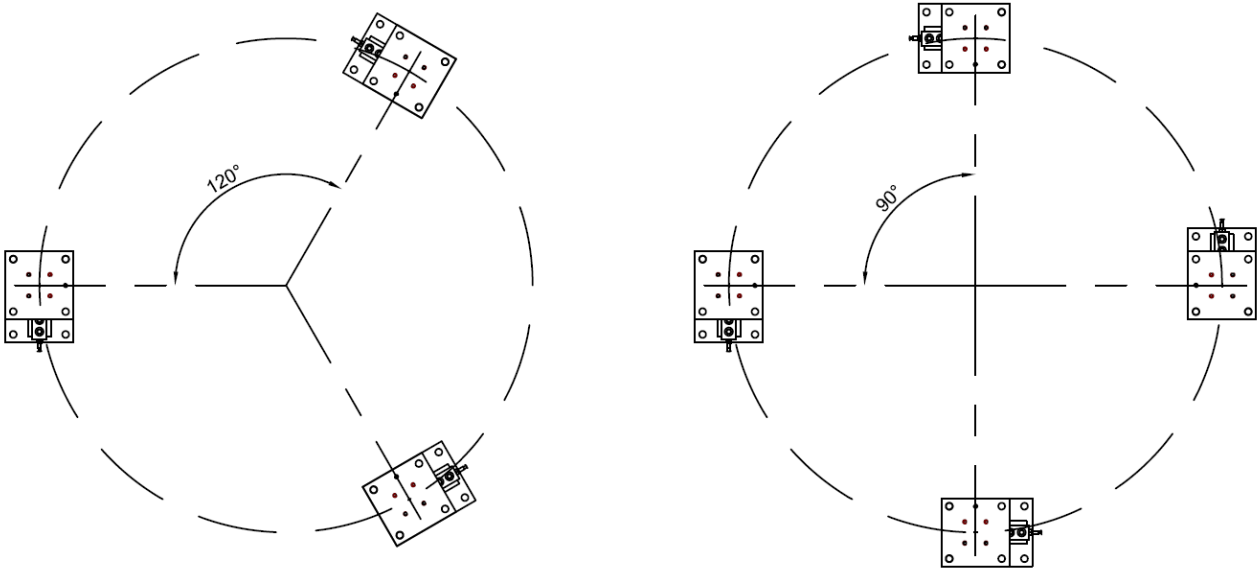


# SHARE TYPE LOAD CELL

Rated load 0.5-1-2 tons



## 3 OR 4 LOAD CELL ARRANGEMENT



## MOUNTING FOOT MOD. MK-SKX-2T

