

CELLA DI CARICO A COMPRESSIONE

Carico nominale 0.5-1-2.5-10 tonnellate

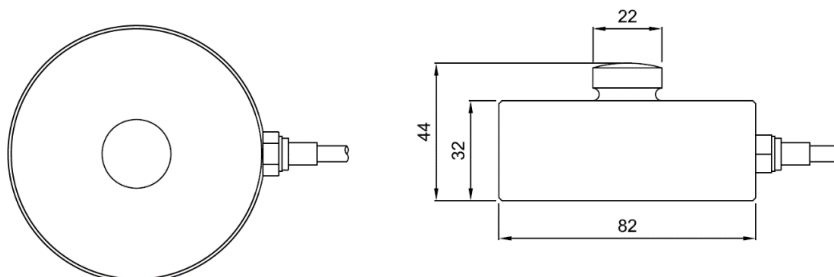


CO

SPECIFICHE TECNICHE

| | | |
|--------------------------------|------------|---|
| Sensitivity | mV/V | 2.000±0.02 |
| Rated Load | Tons | 50 |
| Non-linearity | %FS | ±0.03 |
| Hysteresis | %FS | ±0.03 |
| Combined error | %FS | ±0.08 |
| Repeatability | %FS | ±0.015 |
| Creep | %FS/30 min | ±0.04 |
| Zero Balance | %FS | ±1 |
| Zero Temperature Drift | %FS/5°C | ±0.02 |
| Rated Output Temperature Drift | %FS/5°C | ±0.02 |
| Input Resistance | Ω | 750±25 |
| Output Resistance | Ω | 701±1 |
| Insulation Resistance | MΩ | ≥ 5.000 |
| Supply Voltage | Vac/dc | max 15 |
| Compensated Temperature Range | °C | -10 ÷ +40 |
| Operating Temperature Range | °C | -20 ÷ +70 |
| Safe Overload | %FS | 150 |
| Ultimate Load | %FS | 300 |
| Material | | Stainless steel |
| Sealing | | IP68 - Welded |
| Cable (Diameter/Length) | | Ø 6 mm / 5m |
| Cable Color Code | | Input: Red(+), Blue (-) Output: Yellow (+), Green (-) Sense: White (+), Black (-) |

DIMENSIONI



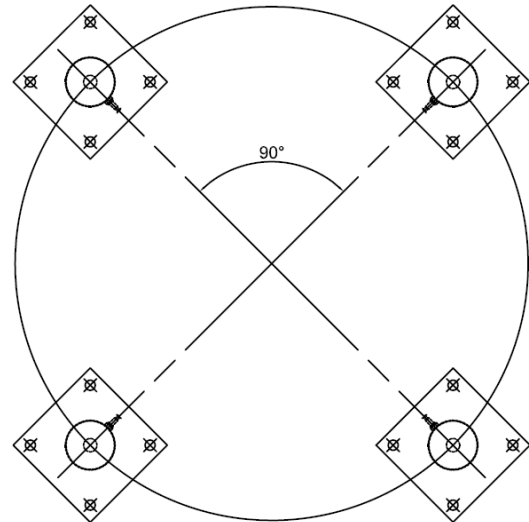
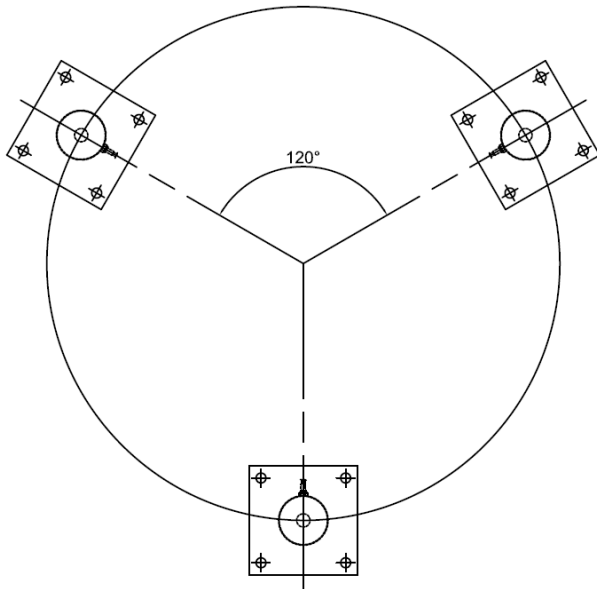
CELLA DI CARICO A COMPRESSIONE

Carico nominale 0.5-1-2.5-10 tonnellate



automation and engineering

DISPOSIZIONE A 3 O 4 CELLE DI CARICO



SISTEMA DI MONTAGGIO MOD. MK-SSB-FX-2T

