

# HEXAGON HMI SERIES

10.1" Panel PC suitable for ATEX Zone 1/21



## HEXAGON<sup>10.1</sup>

Hexagon series PCL-X-10.1 are industrial Panel PCs with 10.1" display suitable for use in ATEX Zone 1/21.

It is equipped with a capacitive touch screen for user interaction, a capacitive button for equipment power on and Ex e/Ex i integrated barriers for push-buttons and LEDs.

It contains last generation Intel® Processors for low energy consumptions and high thermal-dissipation efficiency.

PCL-X-10.1 may optionally contain Bluetooth or Wi-fi radiofrequency modules.



### TECHNICAL CHARACTERISTICS



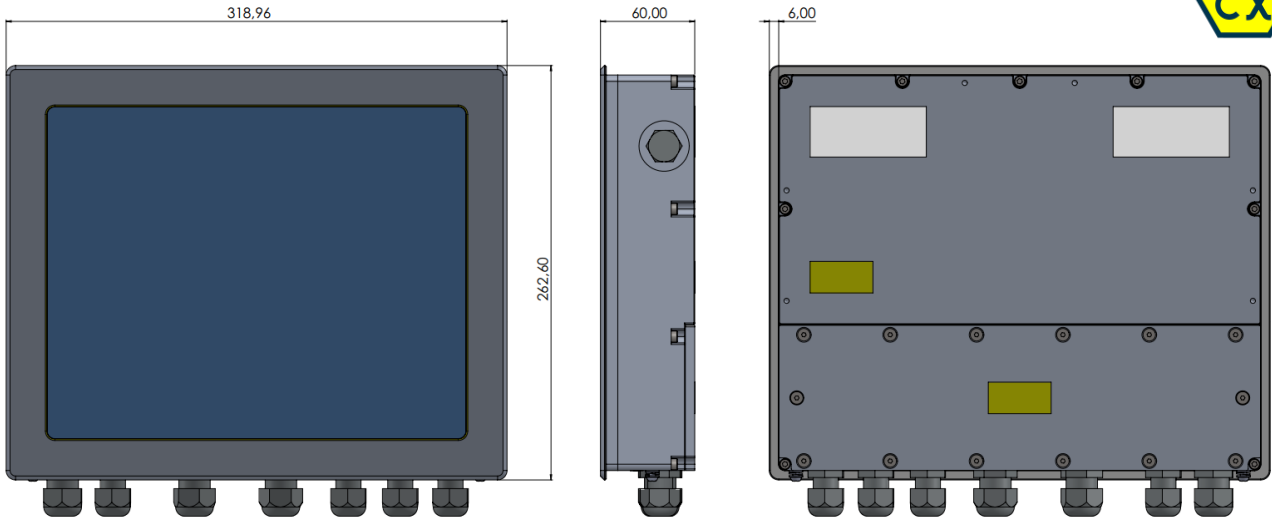
<b>Installation Area</b>	Ex Zone 1/21
<b>Display</b>	10.1" optically bonded to special cover glass, resolution: 1.280x800 px
<b>Touch-screen</b>	Industrial grade capacitive touch sensor, capacitive power-on button with LED
<b>Processor</b>	Intel Atom® N3350, RAM: 4 Gb, Hard Disk: 64 Gb
<b>OS</b>	Windows 10® IoT Enterprise LTSC 2019
<b>Connections</b>	Standard: 1x LAN Gb Ex e, 1x USB Ex e, 1x RS-485 Ex e Available on request: 2x LAN 10/100Mb Ex e, 2x USB Ex e, Bluetooth/WiFi module
<b>Integrated Ex i Active Barriers</b>	5 x D.I. channels for non-Ex push buttons (up to SIL3 in dual channel) 2 x D.O. channels for non-Ex (5V, 15mA) LEDs (Simple Apparatus)
<b>ATEX marking</b>	Ex II 2(1) G Ex eb q [ia Ga] IIC T5...T4 Gb Ex II 2(1) D Ex tb [ia Da] IIIC T95°C...T130°C Db IP66 TÜV CY 20 ATEX 0206397
<b>IECEx marking</b>	Ex eb q [ia Ga] IIC T5...T4 Gb Ex tb [ia Da] IIIC T95°C...T130°C Db IP66 IECEx FID1 21.0005
<b>Mechanical protection</b>	Rugged design, IP66 according to EN 60079-0, both front and back Suitable for installation without enclosure, inside non-Ex certified enclosures or inside Ex eb / Ex tb certified enclosures
<b>Materials</b>	Anodized aluminum and glass (stainless-steel frame on request)
<b>Weight and dimensions</b>	8,2 kg 319x263x60mm (WxHxD)
<b>Supply Voltage</b>	24Vdc ±10%

# HEXAGON HMI SERIES

10.1" Panel PC suitable for ATEX Zone 1/21



## MECHANICAL DRAWING



### Panel mounting on Ex eb / Ex tb enclosure

Use of mounting kit with reinforcement back frame allows installation on Ex eb/Ex tb certified cabinets. Installation can be done as well inside a standard non Ex-certified cabinet.

Nominal window cut-out: 308 x 251.50 (W x H) mm

### Accessories available on request

PCL-X-AMC: Stainless Steel AISI304 custom cabinet with integrated handles.

Arm mounting or foot pedestal thanks to the symmetric design.

