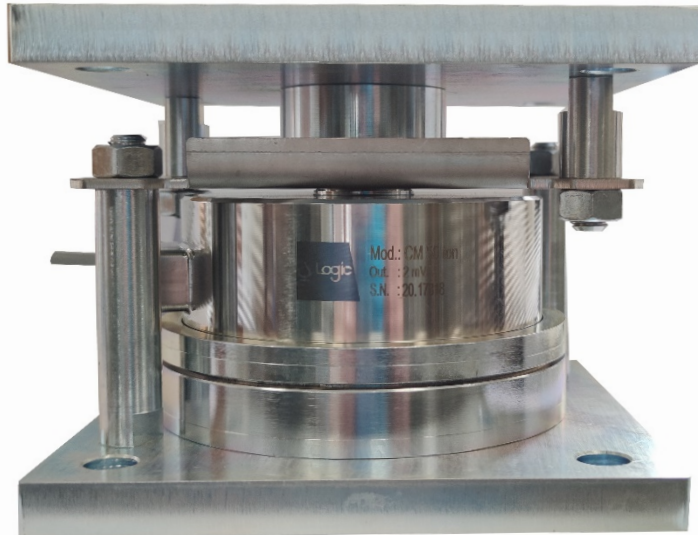


CELLA DI CARICO A COMPRESSIONE

Carico nominale 50 tonnellate

Logic
automation and engineering



CM-50T

SPECIFICHE TECNICHE

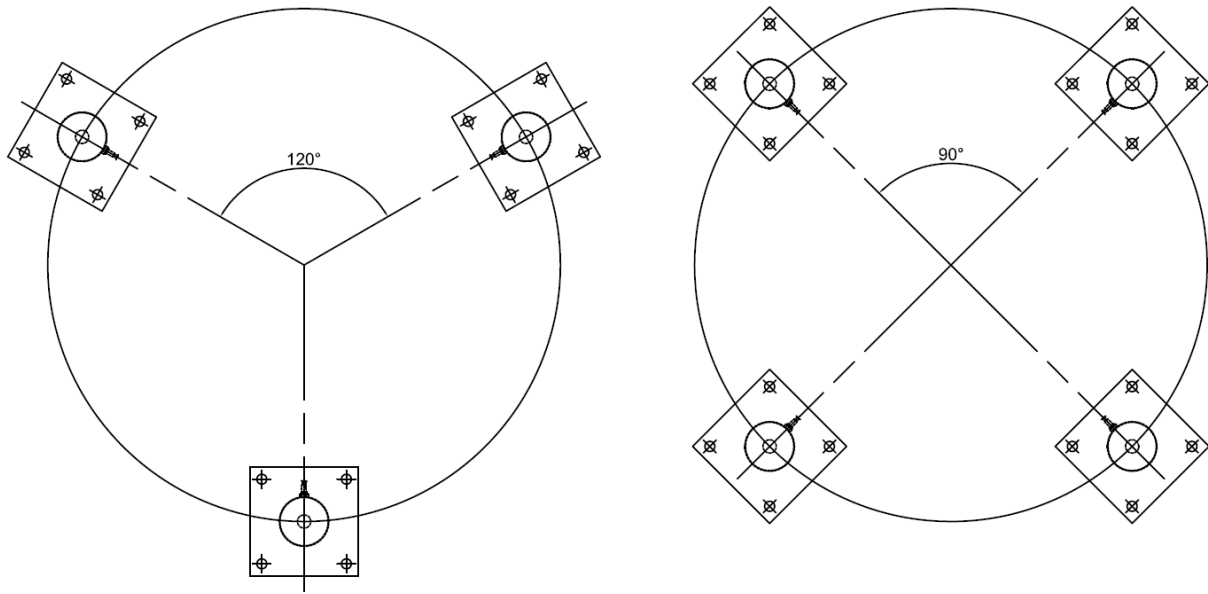
Sensitivity	mV/V	2.000±0.02
Rated Load	Tons	50
Non-linearity	%FS	±0.03
Hysteresis	%FS	±0.03
Combined error	%FS	±0.08
Repeatability	%FS	±0.015
Creep	%FS/30 min	±0.04
Zero Balance	%FS	±1
Zero Temperature Drift	%FS/5°C	±0.02
Rated Output Temperature Drift	%FS/5°C	±0.02
Input Resistance	Ω	750±25
Output Resistance	Ω	701±1
Insulation Resistance	MΩ	≥ 5.000
Supply Voltage	Vac/dc	max 15
Compensated Temperature Range	°C	-10 ÷ +40
Operating Temperature Range	°C	-20 ÷ +70
Safe Overload	%FS	150
Ultimate Load	%FS	300
Material		Stainless steel
Sealing		IP68 - Welded
Cable (Diameter/Length)		Ø 6 mm / 5m
Cable Color Code		Input: Red(+), Blue (-) Output: Yellow (+), Green (-) Sense: White (+), Black (-)

CELLA DI CARICO A COMPRESSIONE

Carico nominale 50 tonnellate



DISPOSIZIONE A 3 O 4 CELLE DI CARICO



SISTEMA DI MONTAGGIO MOD. MK-CMP-PZ-50T

