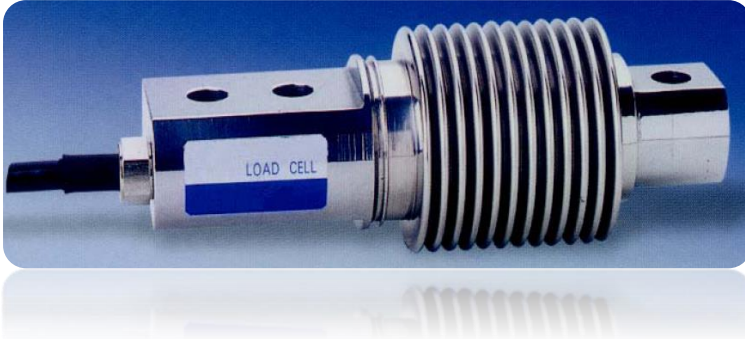


CELLA DI CARICO A SOFFIETTO

Carico nominale 10-20-50-100-200 Kg

Logic
automation and engineering

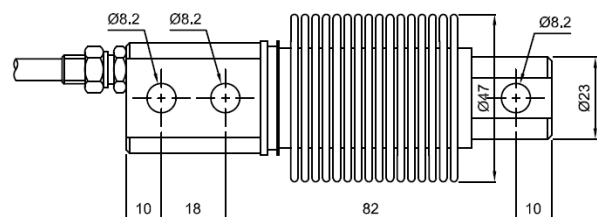
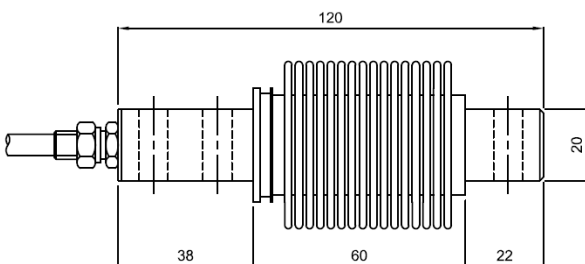


NGX

SPECIFICHE TECNICHE

Sensitivity	mV/V	2±0.01
Non-linearity	%FS	±0.02
Hysteresis	%FS	±0.02
Repeatability	%FS	±0.015
Creep	%FS/30 min	±0.03
Zero Balance	%FS	±0.02
Zero Temperature Drift	%FS/10°C	±0.02
Rated Output Temperature Drift	%FS/10°C	±0.02
Input Resistance	Ω	400±10
Output Resistance	Ω	350±3
Insulation Resistance	GΩ	≥ 5
Supply Voltage	Vac/dc	5 ÷ 10 max 15
Compensated Temperature Range	°C	-10 ÷ +40
Operating Temperature Range	°C	-15 ÷ +70
Safe Overload	%FS	150
Material		Stainless steel
Sealing		IP67
Cable (Diameter/Length)		Ø 6x0.14 mm / 5m
Cable Color Code		Input: Red(+), Blue (-) Output: Yellow(+), Green (-) Ref: White(+), Black (-)

DIMENSIONI

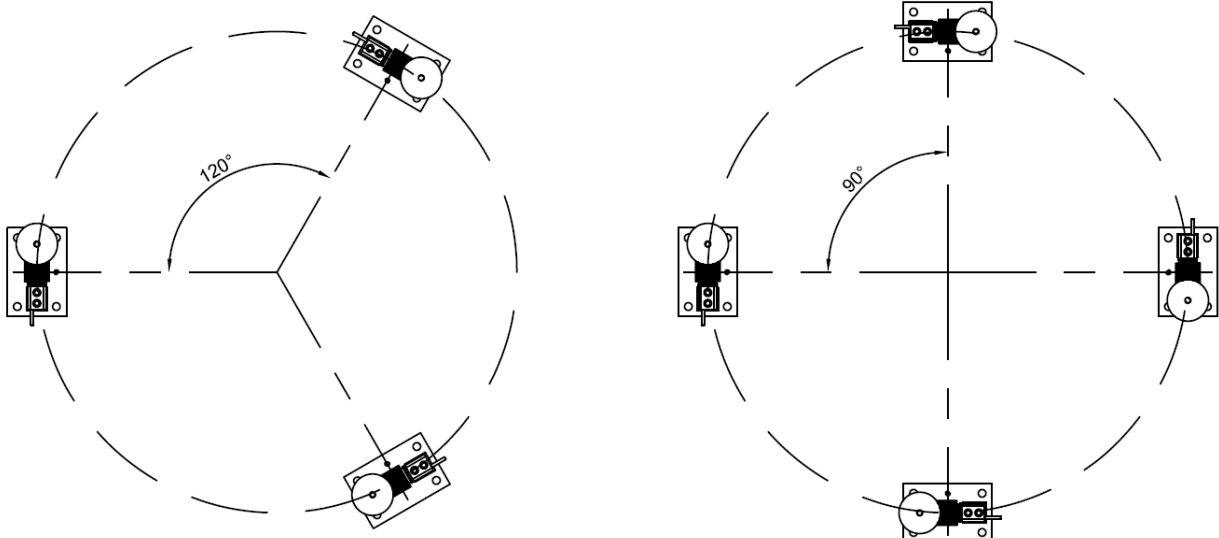


CELLA DI CARICO A SOFFIETTO

Carico nominale 10-20-50-100-200 Kg



DISPOSIZIONE A 3 O 4 CELLE DI CARICO



SISTEMA DI MONTAGGIO MOD. MK-SSB-AZ-200

