

LOAD CELLS WEIGHING SCALE

For on-floor production machinery



LPS-MX

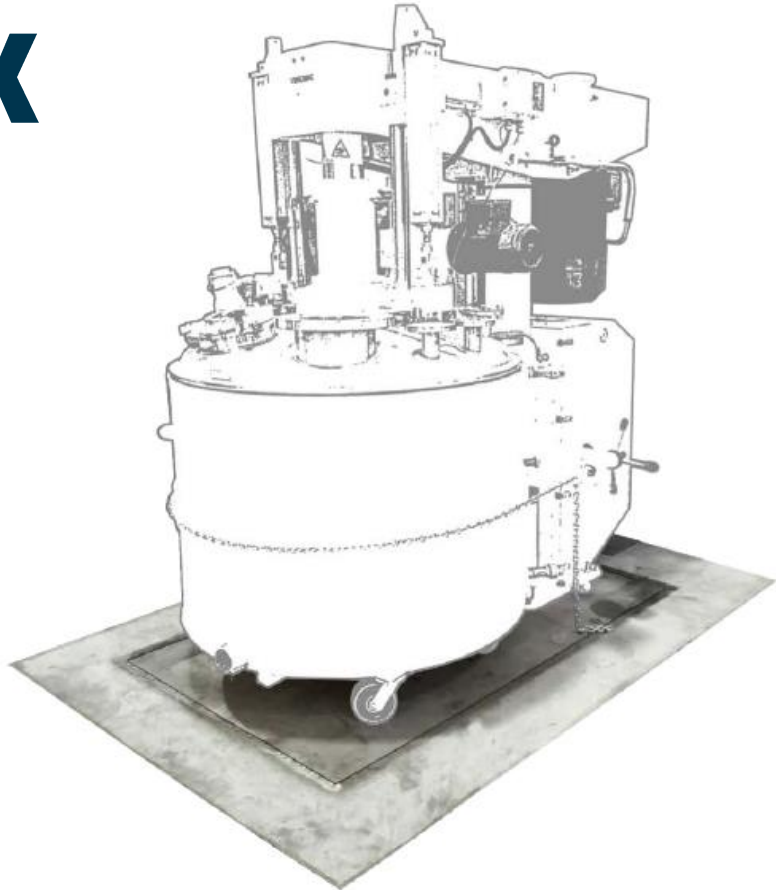
The **LPS-MX** is a strain gauge load cells weighing platform for on-floor production machinery like dissolvers and grinders.

It is made up with a rigid steel structure, with the use of four stainless steel load cells.

The 6 mm loading platform allows the use of very high concentrated load.

An easy installation and immediate use make this product suitable for specific requirements of industrial plants.

It is suitable for use in hazardous area (ATEX Zones).



LPS-MX SERIES GENERAL CHARACTERISTICS

- Provided with four stainless steel shear type load cells
- Load cells made according to OML R60 with IP67 protection degree
- Steel supporting structure with innovative design for higher stiffness
- Loading platform with 6 mm steel sheet for high concentrated loads
- Structure painted with black epoxy paint
- Loading platform covered with stainless steel AISI304
- Height adjustment feet (± 10 mm) made of stainless steel and antacid rubber
- Customizable flange for different machines mounting on the platform
- Junction box with 6-wire extension cable connection. Protection degree: IP65
- Shielded output cable for electronic conditioner connection: L=10m
- Load cells power supply: 15V maximum
- Bridge resistance: 85 Ω

LOAD CELLS WEIGHING SCALE

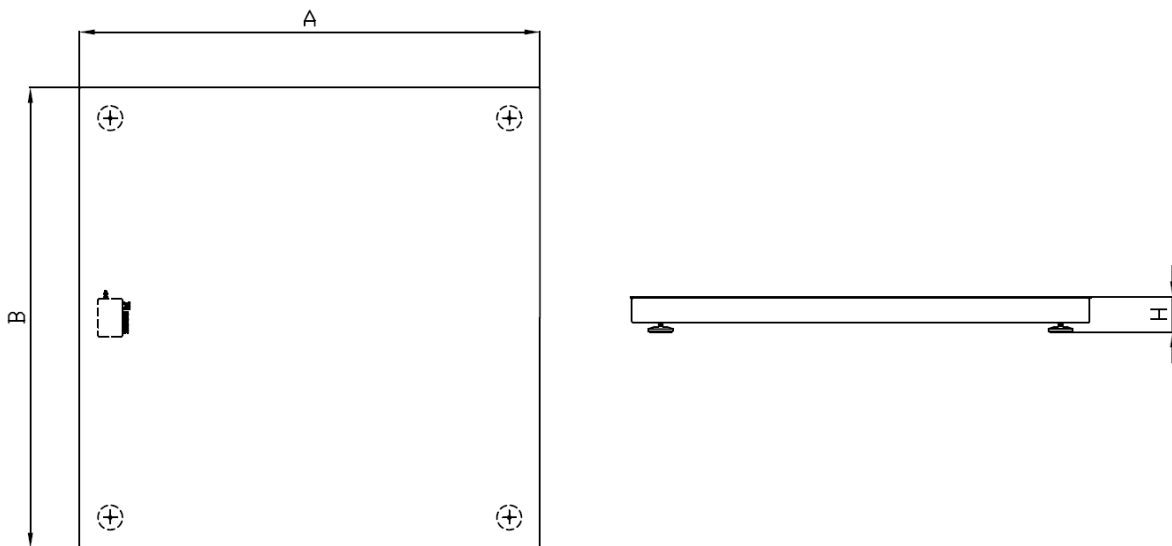
For on-floor production machinery



LPS-HR SERIES GENERAL CHARACTERISTICS

- Same general characteristics of LPS series
- High accuracy selected load cells
- High accuracy corner calibration
- High accuracy for high resolution applications

DIMENSIONS



ORDER CODE	DIMENSIONS AxB [mm]	HEIGHT [mm]	RANGE [Kg]	DIVISIONS STD RESOLUTION [div]
200120	2000x1200	130	2.000/3.000	3.000
210130	2100x1300	200	2.000/3.000	3.000
230130	2300x1300	200	2.000/3.000	3.000