

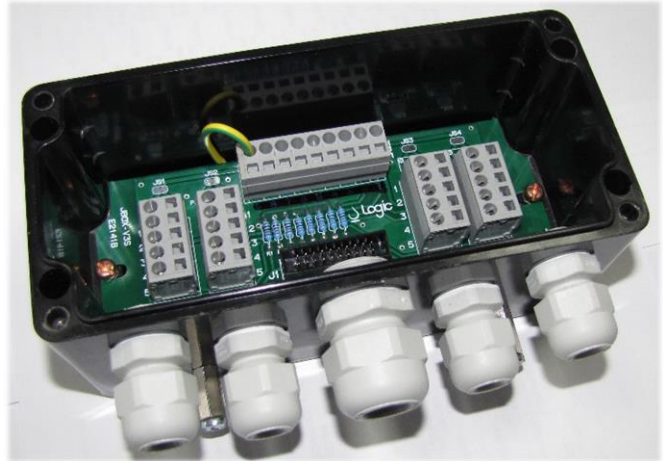
JUNCTION BOX

For the connection of up to 4 load cells



JBOX-V3 JBOX-V3-Ex1

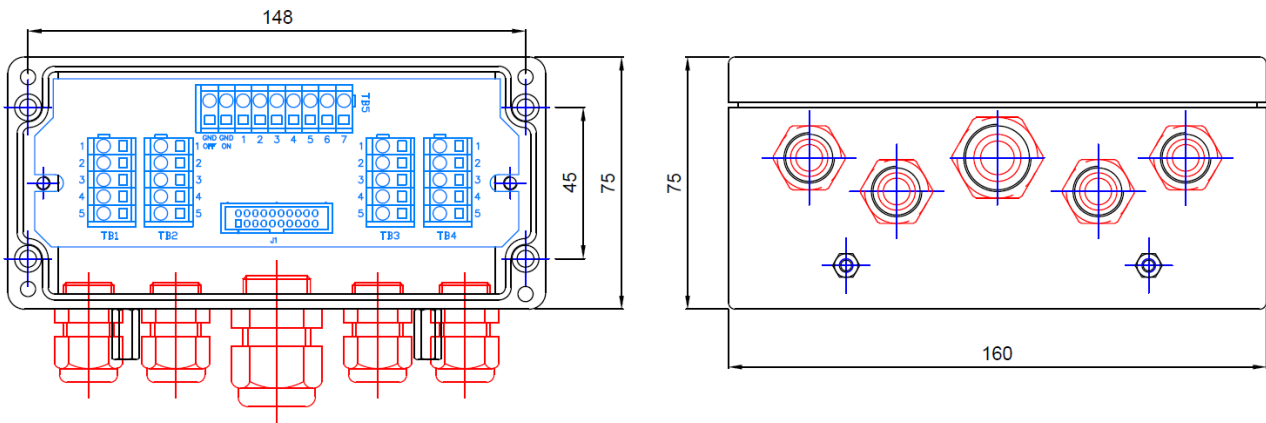
JBOX-V3 and JBOX-V3-Ex1 are junction boxes for the simultaneous connection of four strain gauge load cells. Available the ATEX version for the connection of Ex i intrinsically safe circuits, use up to ATEX Zone 1/21 (JBOX-V3-Ex1).
Protection degree: IP65.



CARATTERISTICHE GENERALI

- Glass and graphite filled polyester container, black colored
- Connection for 6-wire shielded extension cable
- Compensation resistance for the correct parallel connection of the load cells
- Connection terminals with spring contact for maximum reliability
- Intrinsically safe circuits for the Ex i version up to ATEX Zone 1/21 use (JBOX-V3-Ex1)
- Protection degree: IP65
- Dimensions: 160 x 75 x 75 mm (W x H x D)

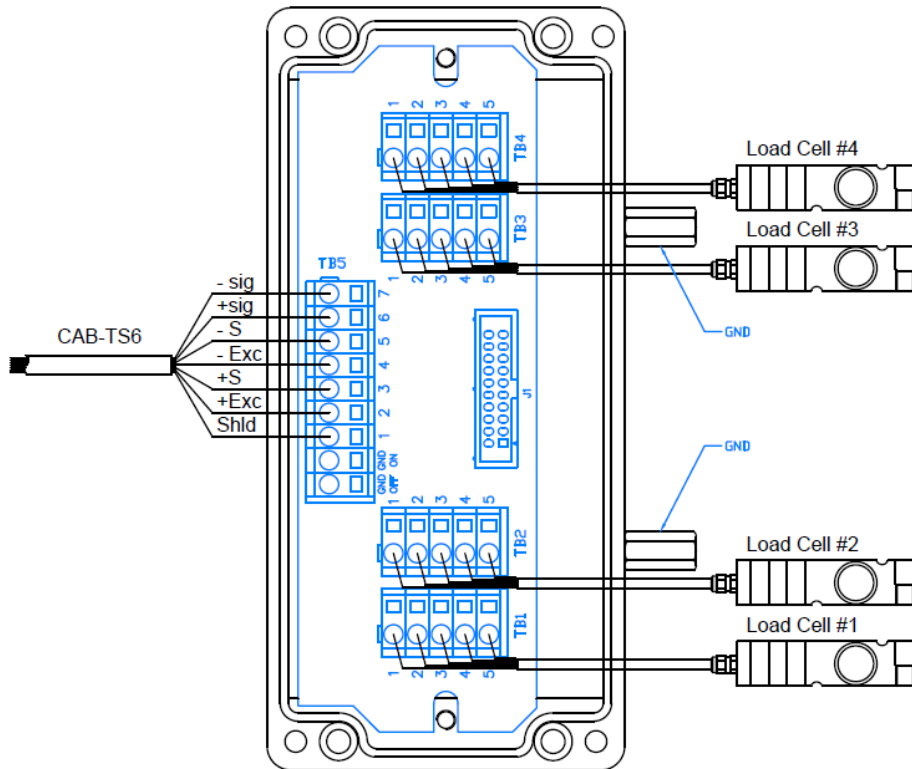
DIMENSIONS



JUNCTION BOX

For the connection of up to 4 load cells

CONNECTION SCHEME



SIGNALS AND CABLES COLOR TABLE

EXTENSION CABLE (CAB-TS6):

TB5	SIGNAL	DESCRIPTION	COLORS CODE
GND OFF	-	Insulated shield	Yellow-Green
GND-ON	-	Shield to GND	Yellow-Green
1	Shld	Shield	Sock+Cont. wire
2	+ Exc	+ Power supply	Red
3	+ S	+ Sense (+ riferimento)	Green
4	- Exc	- Alimentazione	Blue
5	- S	- Sense (- riferimento)	Grey
6	+ Sig	+ Signal	White
7	- Sig	- Signal	Yellow

LOAD CELLS CABLES:

TB1-TB2-TB3-TB4	SIGNAL	DESCRIPTION	COLORS CODE
1	+ Exc	+ Power supply	Red
2	- Exc	- Power supply	Black
3	+ Sig	+ Signal	Green
4	- Exc	- Power supply	Blue
5	Shld	Shield	Yellowo/Sock