

# CELLA DI CARICO A COMPRESSIONE

Carico nominale 0.5-1-2.5-10 tonnellate

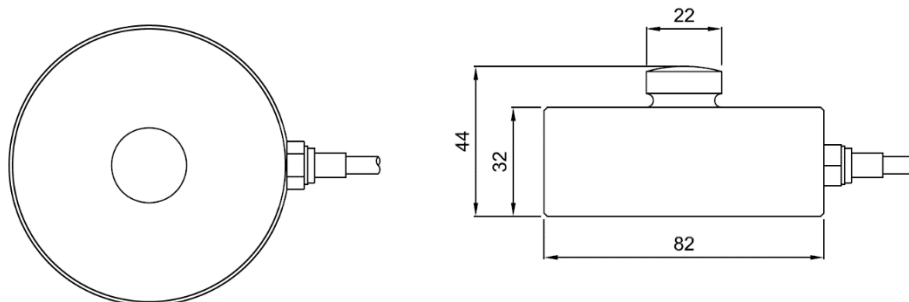


# CO

## SPECIFICHE TECNICHE

Sensitivity	mV/V	2.000±0.02
Rated Load	Tons	1-2.5-5-10
Non-linearity	%FS	±0.03
Hysteresis	%FS	±0.03
Repeatability	%FS	±0.03
Creep	%FS/30 min	±0.03
Zero Balance	%FS	±1
Zero Temperature Drift	%FS/10°C	±0.03
Rated Output Temperature Drift	%FS/10°C	±0.02
Input Resistance	Ω	705±5
Output Resistance	Ω	701±1
Insulation Resistance	MΩ	≥ 2.000
Supply Voltage	Vac/dc	max 15
Compensated Temperature Range	°C	-10 ÷ +40
Operating Temperature Range	°C	-20 ÷ +70
Safe Overload	%FS	150
Ultimate Load	%FS	300
Material		Stainless steel
Sealing		IP67
Cable (Diameter/Length)		Ø 6 mm / 5m
Cable Color Code		Input: Red(+), Black (-) Output: Green (+), White (-)

## DIMENSIONI



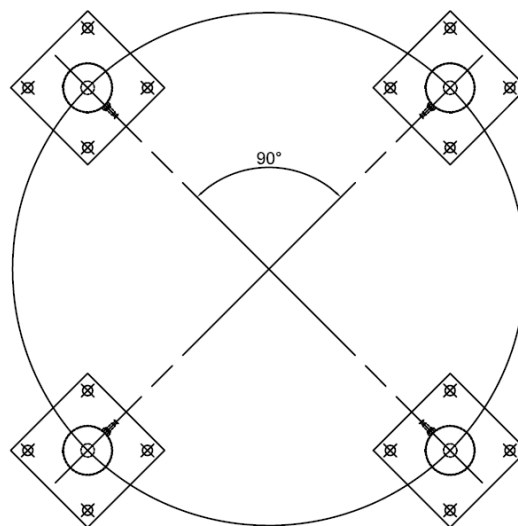
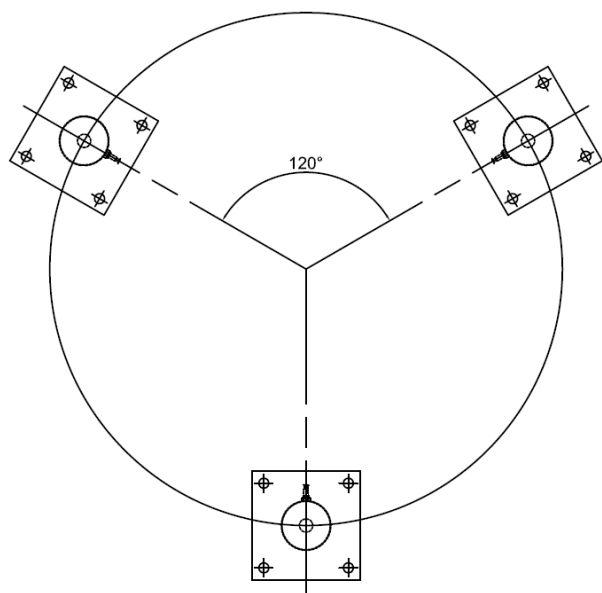
# CELLA DI CARICO A COMPRESSIONE

Carico nominale 0.5-1-2.5-10 tonnellate



automation and engineering

## DISPOSIZIONE A 3 O 4 CELLE DI CARICO



## SISTEMA DI MONTAGGIO MOD. MK-CMP-PZ-10T

