

# COMPRESSION LOAD CELL

Rated load 0.5-1-2.5-10 tons

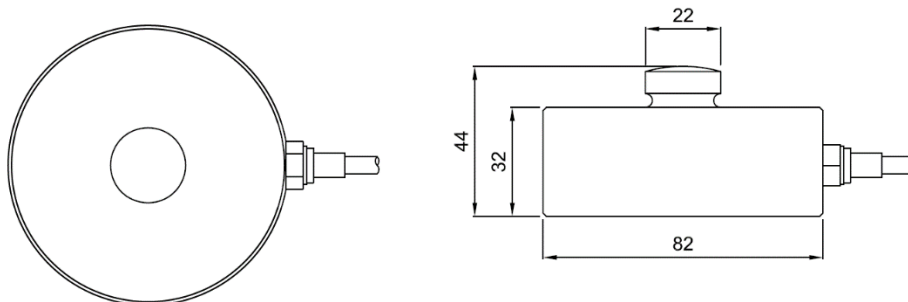


# CO

## SPECIFICATIONS

Sensitivity	mV/V	2.000±0.02
Rated Load	Tons	1-2.5-5-10
Non-linearity	%FS	±0.03
Hysteresis	%FS	±0.03
Repeatability	%FS	±0.03
Creep	%FS/30 min	±0.03
Zero Balance	%FS	±1
Zero Temperature Drift	%FS/10°C	±0.03
Rated Output Temperature Drift	%FS/10°C	±0.02
Input Resistance	Ω	705±5
Output Resistance	Ω	701±1
Insulation Resistance	MΩ	≥ 2.000
Supply Voltage	Vac/dc	max 15
Compensated Temperature Range	°C	-10 ÷ +40
Operating Temperature Range	°C	-20 ÷ +70
Safe Overload	%FS	150
Ultimate Load	%FS	300
Material		Stainless steel
Sealing		IP67
Cable (Diameter/Length)		Ø 6 mm / 5m
Cable Color Code		Input: Red(+), Black (-) Output: Green (+), White (-)

## DIMENSIONS

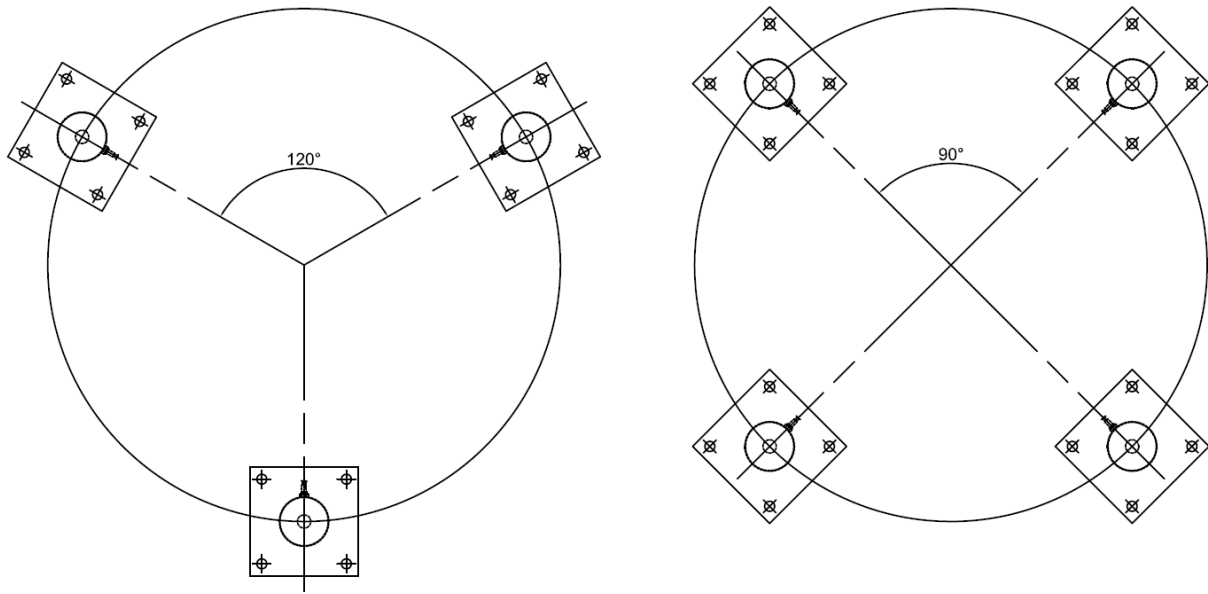


# COMPRESSION LOAD CELL

Rated load 0.5-1-2.5-10 tons



## 3 OR 4 LOAD CELLS ARRANGEMENT



## MOUNTING FOOT MOD. MK-SSB-FX-2T

