

EARTHING CLAMP

For small process equipment connections



CLP-MINI

The device **CLP-MINI** is part of the **ECS** for small process equipment connection to earth.

Thanks to the carbonitrided steel contacts, this grounding clamp is able to penetrate any accumulations of material on the container's surface to detect in real-time if the grounding connection is obtained with a resistance less or equal to 10 Ω .

Order code:

CLPM: stainless steel clamp without LED on board.



TECHNICAL FEATURES

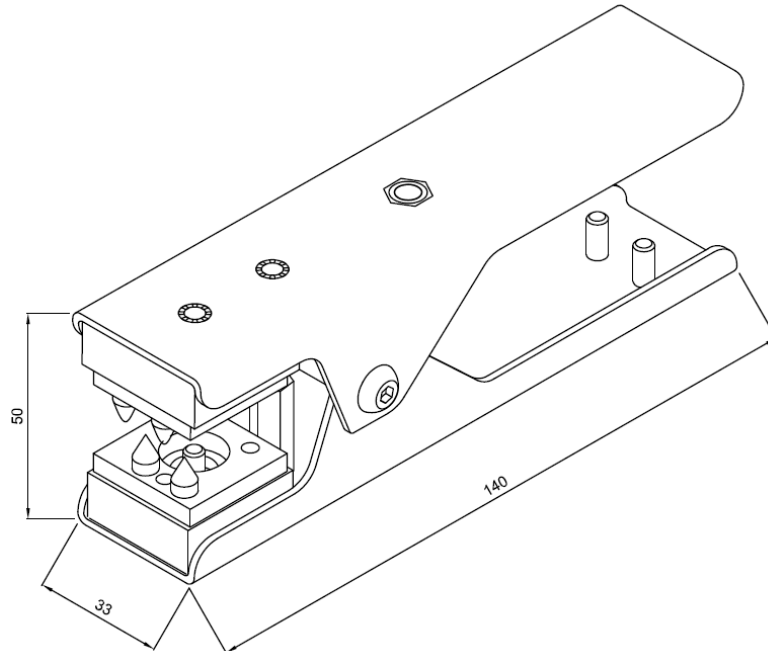
Area of use:	suitable for use in Zone 1/21 (in connection with ECS monitoring system)
Material:	stainless steel AISI304
Working temperature:	$-20\text{ }^{\circ}\text{C} \leq T_{\text{amb}} \leq +50\text{ }^{\circ}\text{C}$
Contact:	double steel alloy tip with carbonitriding treatment
Maximum opening:	15 mm
Standard cable:	2 wires with section 0.35 mm ² , \varnothing 5 mm, length 3 m, PVC insulating sheath (other types of cable available on request)
Dimensions:	140 X 50 X 33 mm (L X H X D)

The CLP-MINI meets the requirements of the ATEX Directive 2014/34/EU and the relative harmonized standards for application in ATEX Zone 1/21, connected to the monitoring systems of the ECS range.

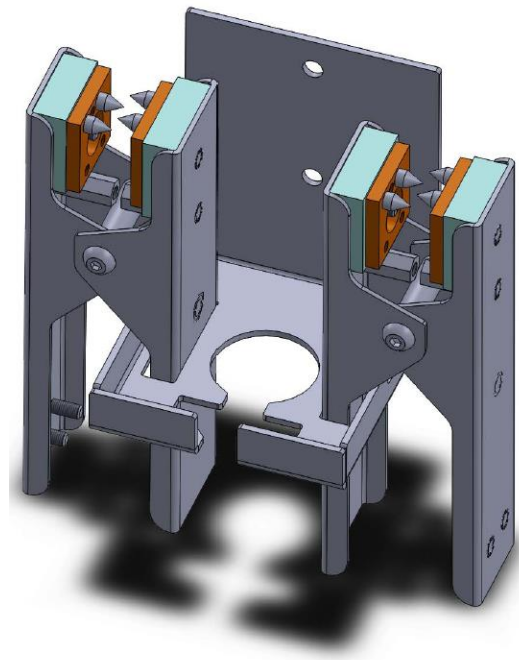
EARTHING CLAMP

For small process equipment connections

DIMENSIONS



MECHANICAL DRAWING



Mechanical drawing consisting of the HK02 hook, suitable for N. 2 clamps CLP-Mini and N. 1 clamp IS1L.