

# EARTHING CLAMP

With mechanical coding



## CLP-CODE

The **CLP-CODE** device is part of the **ECS** for earthing connections of production machinery (dispersers, grinding mills, etc.).

Thanks to the mechanical coding, which makes it unique in this field of application, this equipment is able to detect if the connection to earth is obtained with a resistance to earth less or equal to 10  $\Omega$ .

The device is equipped with n.2 **LEDs** (green and red) installed directly on board.

Order code:

**CLCD**: mechanical coding clamp with LEDs on board.



### TECHNICAL CHARACTERISTICS

<b>Area of use:</b>	up to ATEX Zone 1/21
<b>Material:</b>	stainless steel AISI304
<b>Contact:</b>	double steel alloy tip with carbonitriding treatment
<b>Working temperature:</b>	$-20\text{ }^{\circ}\text{C} \leq T_{\text{amb}} \leq +50\text{ }^{\circ}\text{C}$
<b>Standard cable:</b>	spiral cable, 5/10 m long, wire section 0.5 mm <sup>2</sup> , $\varnothing$ 8 mm
<b>Dimensions:</b>	83 x 64 mm (L x $\varnothing$ )

The CLP-CODE meets the requirements of the ATEX Directive 2014/34/EU and the relative harmonized standards for application in ATEX Zone 1/21, connected to the monitoring systems of the ECS range.

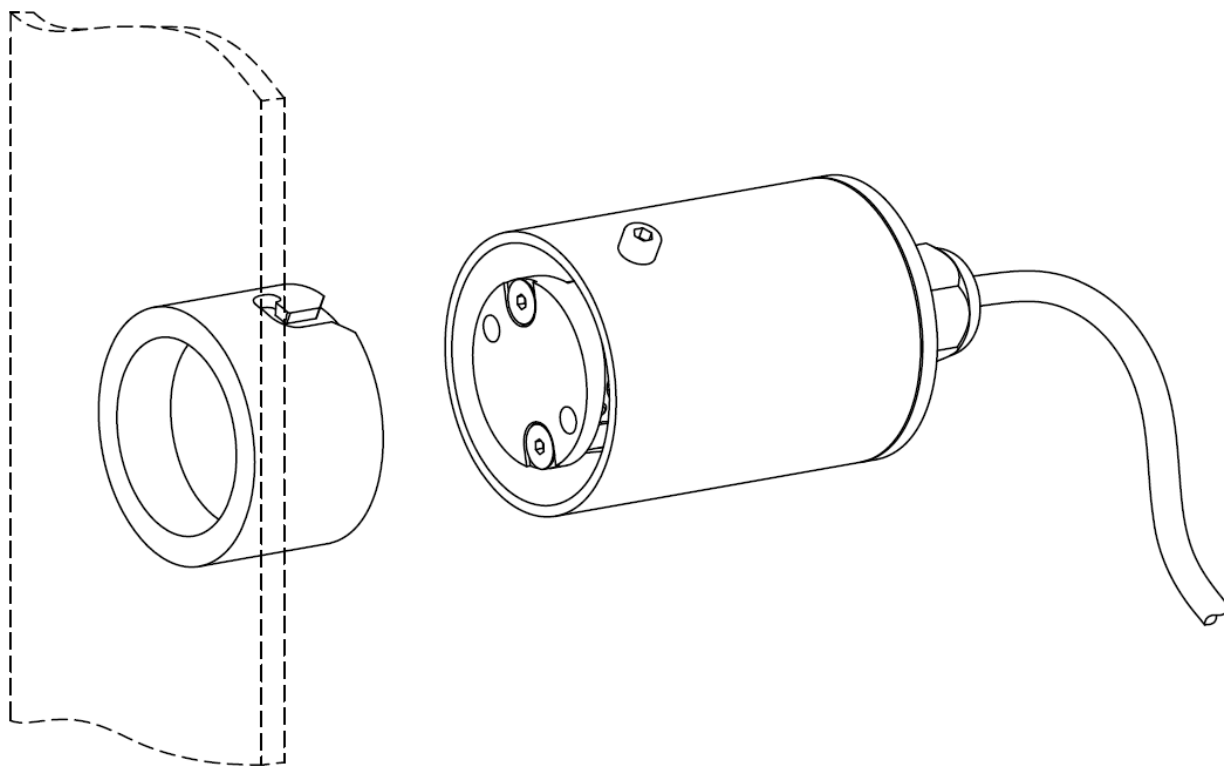
# EARTHING CLAMP

With mechanical coding



automation and engineering

## MECHANICAL DRAWING



## DIMENSIONS

